



APL XH Projector Light



MODEL APL-XH **Projector Light**

DESCRIPTION

XH series projector light, lamp body adopts high strength die-casting aluminum, and surface with electrostatic spaying plastic processing; adopts isclated double cavity design, independent heat radiation, uniformity is better; rotatable single double arm bracket, which can realize 180 degree rotate; with single high effective LED chip; adopts condensing optics, can realize super small angle beam integration, and can avoid glare; with external adjustable control keyboard, to operate with DMX512 control system; uses ARM integrated control chip to control, original logarithmic dimming technology, which makes dynamic dimming softer, and color is gorgeous; prefabricated lighting management procedures, multiple solutions alternative; external wireless control system, which can realize single lamp control independently. AGL XH intelligent projector light with many of patent techniques is an ideal option of outdoor architecture and landscape lighting.

Original design, make top LED project-light lamp, fashion, modern design, make lamps and lanterns of a work of art, in harmony with the environment. Lamps and lanterns is main material USES high strength die-casting aluminum, mask USES the high strength of toughened glass, impact resistance; Single and double stents, optional accessories, glare shield. Powerful, strong controllability, built-in 12 kinds of dynamic program, has the original logarithmic dimming technology and optical technology, the light is soft flowery.

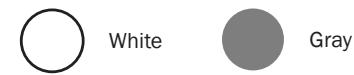
TYPE OF MOUNTING

Surface Mounting on floor

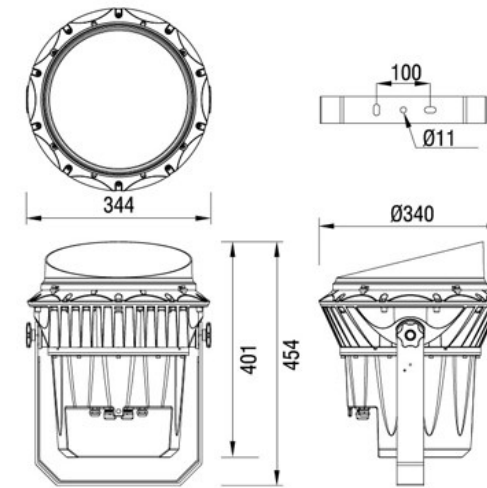
TECHNICAL SPECIFICATIONS

Model	APL-XH
Power	200 W
Lumens	14976 lm
Efficiency	74,88 lm/W
Input Voltage	AC100-277V
CCT	4000K
Beam Angle	9°, 13°, 25°, 35°
Operating temperature	-30° to 50° C

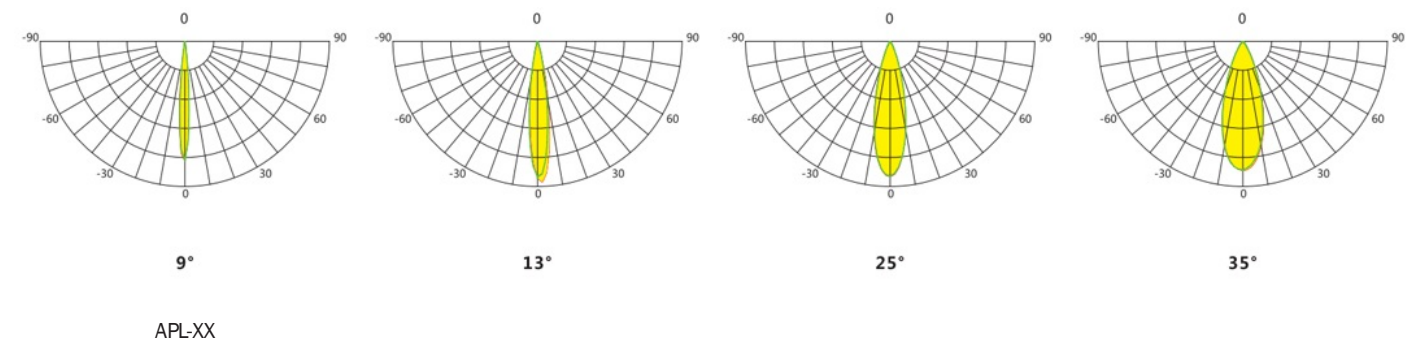
COLORS



DIMENSION



PHOTOMETRIC CURVE



SPECIFICATIONS

