



# APL 160 Projector Light



**Projector Light**  
MODEL **APL 160**

## DESCRIPTION

LED projector light APL 160 series, owned patent, high pressure die-casting aluminum for lamp body, with electrostatic plastic coating for surface. Special rotated fixed bolt could realized the 180 degree round. Light source use 1-3W single RGBW chips, LED combination make the result better. It could be controlled by DMX512 system, kinds of changing effect. Power from 1 SW to 72W, suitable for many places.

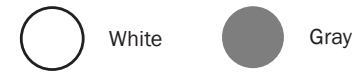
## TYPE OF MOUNTING

Surface Mounting on floor

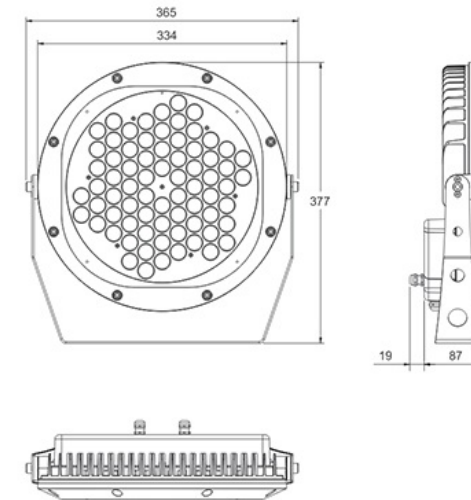
## TECHNICAL SPECIFICATIONS

Model	APL-160
Power	150 W
Lumens	7500 lm
Efficiency	50 lm/W
Input Voltage	AC100-277V
CCT	RGBW
Beam Angle	10° x 35°, 10° x 60°, 10°, 14°, 17° x 45°, 20°, 25°, 30° x 60°, 32°, 40°, 60°
Operating temperature	-30° to 50° C

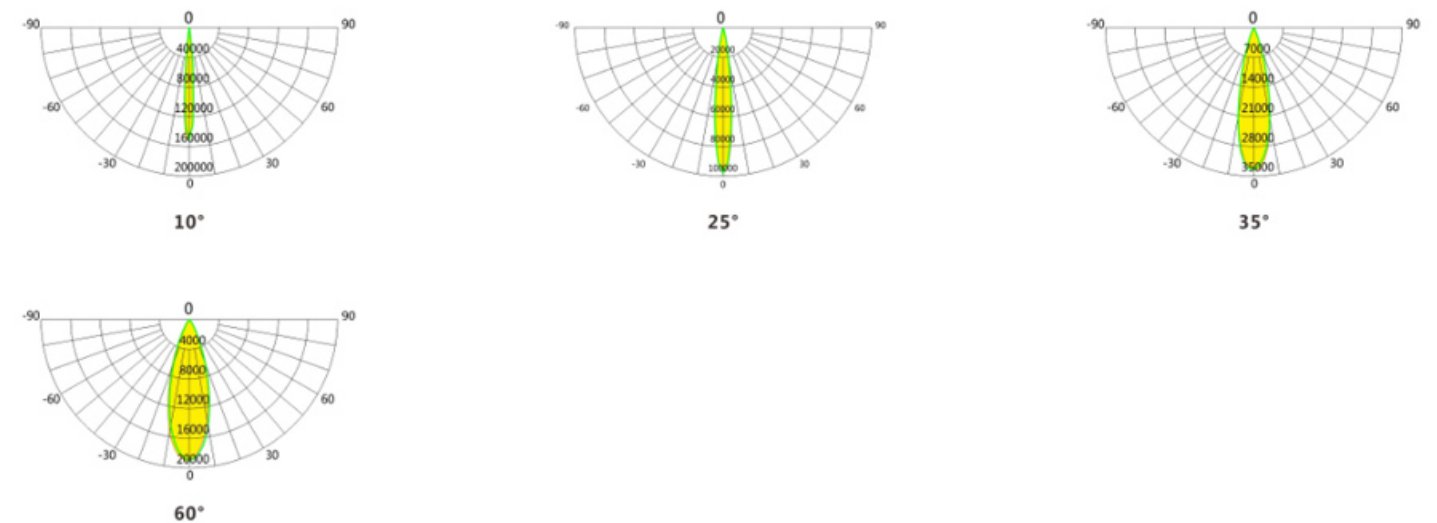
## COLORS



## DIMENSION



## PHOTOMETRIC CURVE



## SPECIFICATIONS

