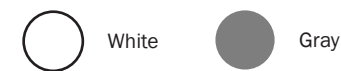


# AFL 600A Flood Light

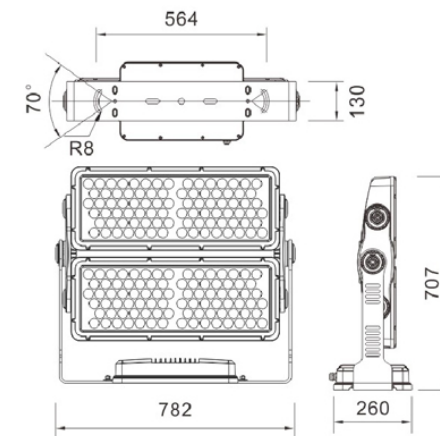
**MODEL** | **AFL-600A** | **FLOOD LIGHT**



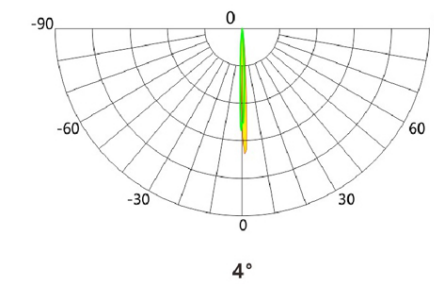
## COLORS



## DIMENSION



## PHOTOMETRIC CURVE



AFL-600A

## DESCRIPTION

AGL, high-power cast light; Narrow the room to learn advanced technology; Can provide the kop lighting; Superior heat dissipation ability by aluminum alloy material weight; This product is especially suitable for long distance lighting while effective in reducing temperature, reduce the weight of the lamps and lanterns, for large building facades, Bridges, stadium lighting rendering lighting and function strong lighting effects. Lamp adopt aluminum alloy,high heat dissipation. Low weight design,whole lamp weight just 30 kg.

Multiple control function,the intelligent logarithmic dimming technology enrich the color saturation.

Strong structure function,adjust angle can be precised to 2.5 degree: use flexible,optional sighting telescope accurate positioning for the long distance.

## TYPE OF MOUNTING

Surface Mounting on floor

## TECHNICAL SPECIFICATIONS

Model	AFL-600A
Power	600 W
Lumens	32350 lm
Efficiency	53,9 lm/W
Input Voltage	AC100-277V
CCT	4000K
Beam Angle	4°
Operating temperature	-30 / 50°C

## SPECIFICATIONS

