

AFL 560 Flood Light

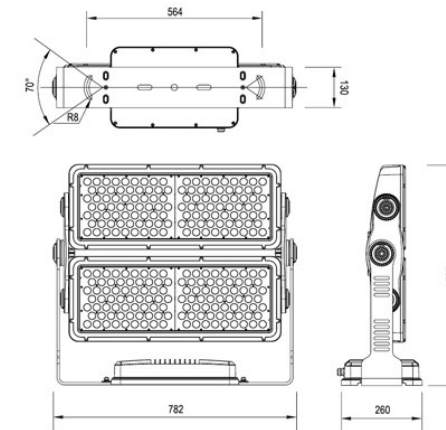
MODEL | **AFL-560** | **FLOOD LIGHT**



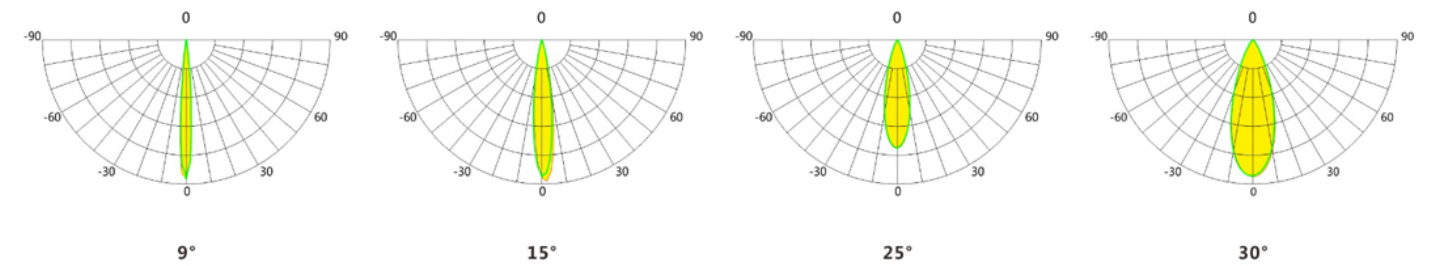
COLORS



DIMENSION



PHOTOMETRIC CURVE



AFL-560

DESCRIPTION

AGL, high-power cast light; Narrow the room to learn advanced technology; Can provide the kop lighting; Superior heat dissipation ability by aluminum alloy material weight; This product is especially suitable for long distance lighting while effective in reducing temperature, reduce the weight of the lamps and lanterns, for large building facades, Bridges, stadium lighting rendering lighting and function strong lighting effects. Lamp adopt aluminum alloy, high heat dissipation. Low weight design, whole lamp weight just 30 kg.

Multiple control function, the intelligent logarithmic dimming technology enrich the color saturation.

Strong structure function, adjust angle can be precised to 2.5 degree; use flexible, optional sighting telescope accurate positioning for the long distance.

TYPE OF MOUNTING

Surface Mounting on floor

TECHNICAL SPECIFICATIONS

Model	AFL-560
Power	580 W
Lumens	43840 lm
Efficiency	75,5 lm/W
Input Voltage	AC100-277V
CCT	4000K
Beam Angle	9°
Operating temperature	-30 / 50°C

SPECIFICATIONS

