



We Shape Architecture

Pixel light · C Series · C53

Application

The LED lighting system offers low power consumption and high brightness, with support for various customizations including pixel pitch, LED color (RGBW). It features IP67 protection grade, UL94-V0 flame retardant grade, and Class III electrical safety, ensuring stability in outdoor environments for all weather conditions. The flexible mounting options cater to a variety of irregular structures, making installation and maintenance easy. It is cost-effective for large-scale installations such as glass curtain walls, large building displays, decorations, and 3D shapes.

Lighting Performance

It provides a color resolution of 16 bits, delivering stylish and smooth effects. The system exceeds the DMX protocol, offering more capacity and flexibility through proprietary technology.

Lighting Structure

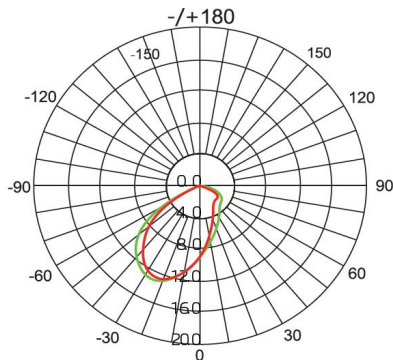
The UV-resistant Aluminum housing is lightweight, has excellent shock resistance, and offers a long lifespan without aging or yellowing. It can be mounted on building surfaces using brackets. The installation utilizes steel wire and aluminum profiles to ensure reliable connections. Flexible and varied mounting options make it easy for installers to integrate the LED fixtures into any structure.

SPECIFICATION

Model	C53-RGBW
LED Source	6 SMD RGB + 3SMD W
Grey Scale	65536
Beam Angle	60°/120°
Housing	Aluminum
Housing Color	Black/Customized
Bracket	PC
Cover	Transparent Flat
Weight	50g
Certification	ETL、CE、ROHS
Operating Voltage	DC12/DC48V
Power Consumption	2.5W
Ingress Protection	IP67
Fire Protection Rating	UL94-V0
Operating Temperature	-35~60°C
Storage Temperature	-40~70°C
Lifespan	≥80000h
Control	DMX512

※ Specification is subject to changes without prior notice for product improvement.

Optical Parameters:



1m	7.71,11.5lx	125.73
2m	1.91,2.90lx	251.46
3m	0.86,1.28lx	377.19
4m	0.48,0.72lx	502.93
5m	0.30,0.45lx	628.66

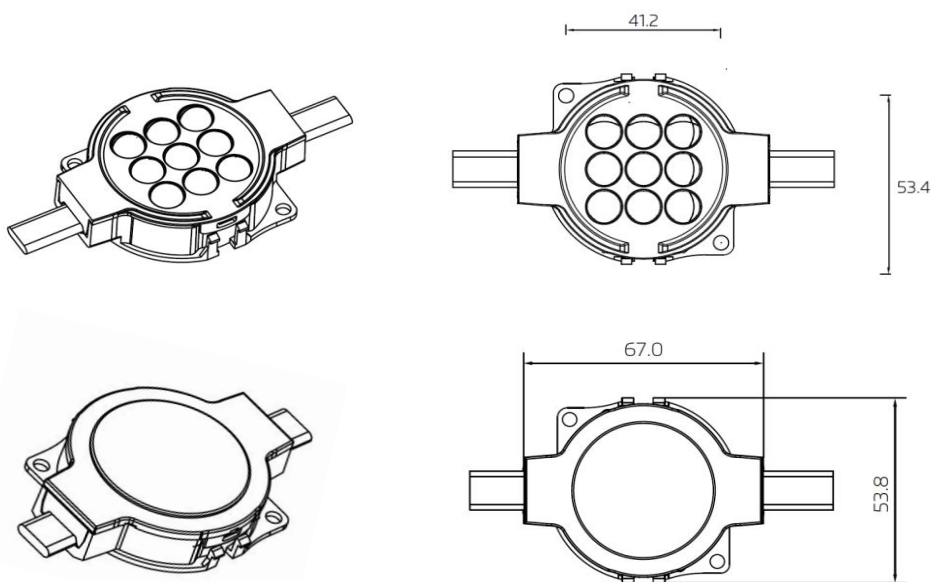
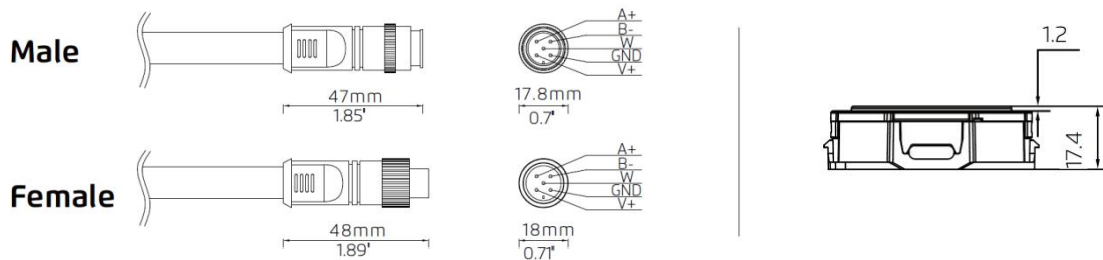
H(m) Eavg,Emax Beam Angle:117.12 ° Diameter

Lumination Icon (W)

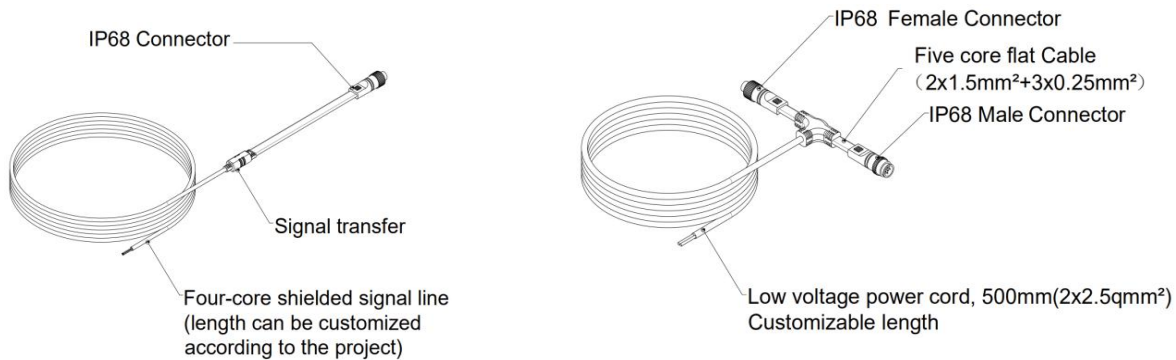




Product Structure Drawing (mm)



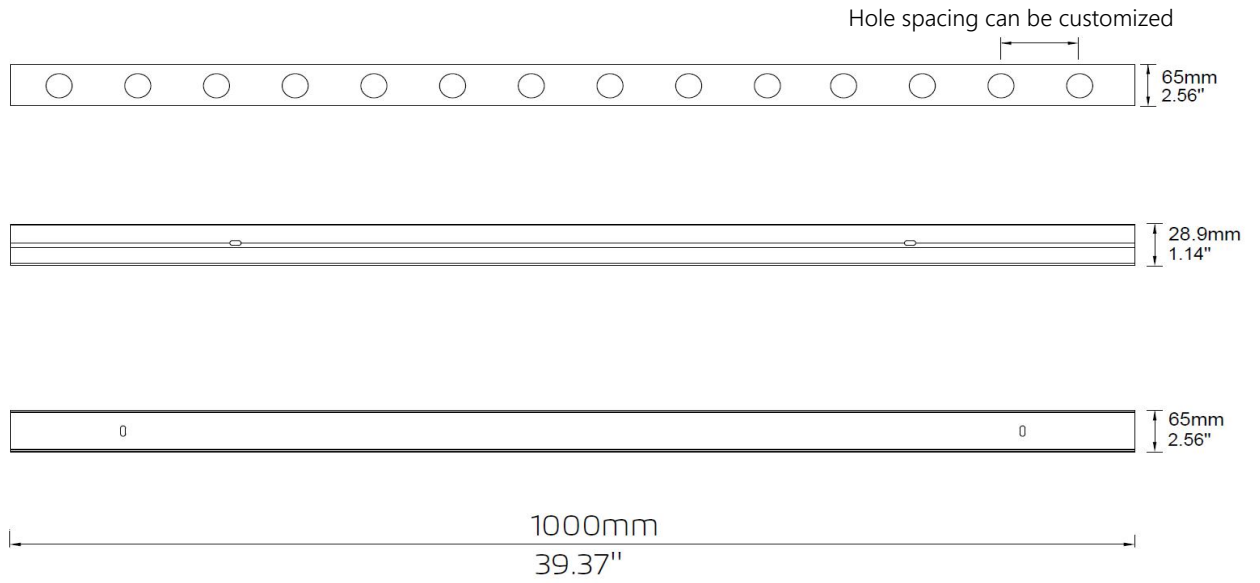
Installation Accessories 1



Signal Adapter

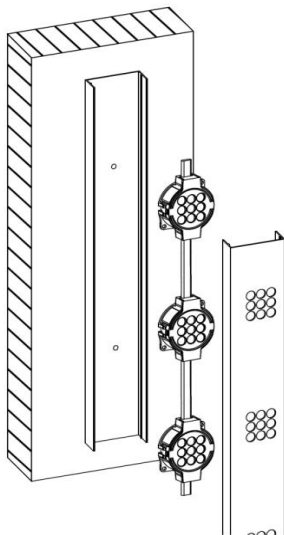
Power T Connector

Aluminum Profile Diagram

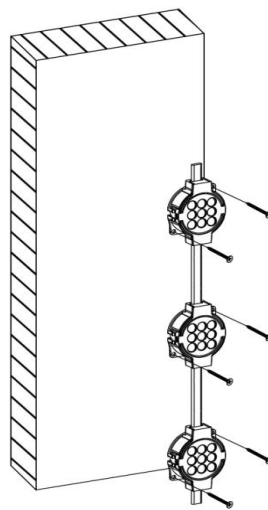


Installation Method

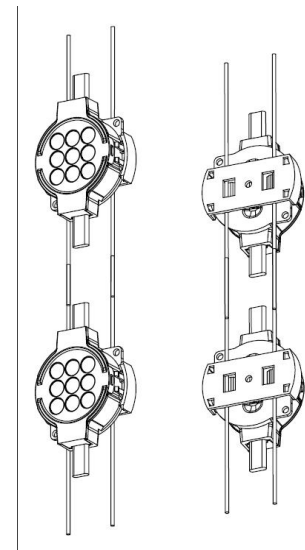
1. Aluminum Profile



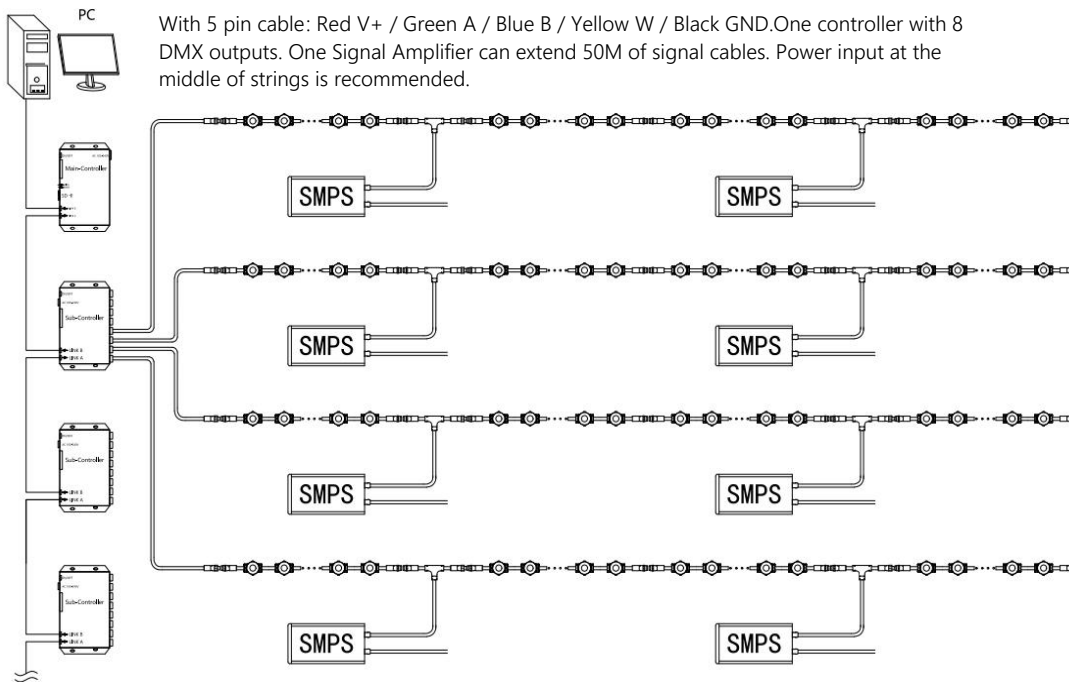
2. Direct installation



3. Steel Wire



Control System Diagram



※ The actual system diagram may subject to change from the above example.

Project Cases

