



We Shape Architecture

Pixel light · C Series · C53

Application

Low power consumption, high brightness. Support for a variety of customization including: pixel pitch, LED color (RGB, RGBW or Single Color). IP66 protection grade, UL94-V0 flame retardant grade, Class III electrical safety, ensure effectively the stability of the lamp in outdoor environment for all weather conditions. Flexible mounting performance for a variety of irregular structures, easy installation and maintenance. Cost-effective for large scale installation. (Glass curtain walls, large building Display, Decorations, 3D shapes, etc.

Lighting Performance

Customizable for different LED options (RGB, RGBW, White, Dynamic White, Single Color). With two different versions: clear or diffused. Color resolution of 16 bits, effects are more stylish and smooth; Exceeding the DMX protocol with more capacity and flexibility by utilizing our proprietary.

Lighting Structure

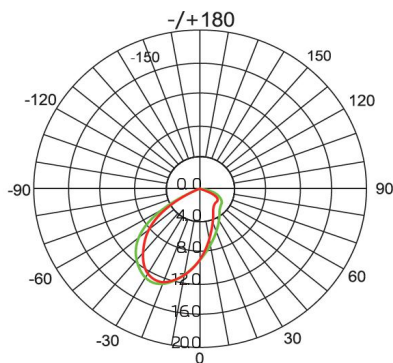
UV-resistant PC housing, Light-weight, Excellent anti shock ability, Long life and not easy to be aging or yellowing, can be mount on the building surface by bracket. The Steel wire and Aluminum Profile installation ensure reliable connections, while flexible and varied mounting options make it easy for installers to make LED fixture part of any structure.

SPECIFICATION

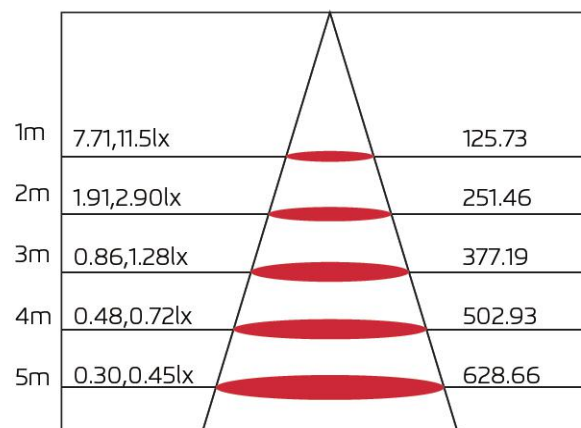
Model	C53-RGB	C53-RGBW	C53-RGB
Chip Brand	CREE/EPISTAR	CREE/EPISTAR	CREE/EPISTAR
LED Source	9 SMD RGB	6 SMD RGB + 3SMD W	9 SMD W
Grey Scale	65536	65536	65536
Beam Angle	60°/120°	60°/120°	60°/120°
Housing	PC	PC	PC
Housing Color	Black/Customized	Black/Customized	Black/Customized
Bracket	PC	PC	PC
Cover	Transparent Flat	Transparent Flat	Transparent Flat
Weight	50g	50g	50g
Certification	ETL、CE、ROHS	ETL、CE、ROHS	ETL、CE、ROHS
Operating Voltage	DC12/DC48V	DC12/DC48V	DC12/DC48V
Power Consumption	2W	2W	2W
Ingress Protection	IP66	IP66	IP66
Fire Protection Rating	UL94-V0	UL94-V0	UL94-V0
Operating Temperature	-35~60℃	-35~60℃	-35~60℃
Storage Temperature	-40~70℃	-40~70℃	-40~70℃
Lifespan	≥80000h	≥80000h	≥80000h
Control	DMX512	DMX512	ON-OFF or DMX512

※ Specification is subject to changes without prior notice for product improvement.

Optical Parameters:



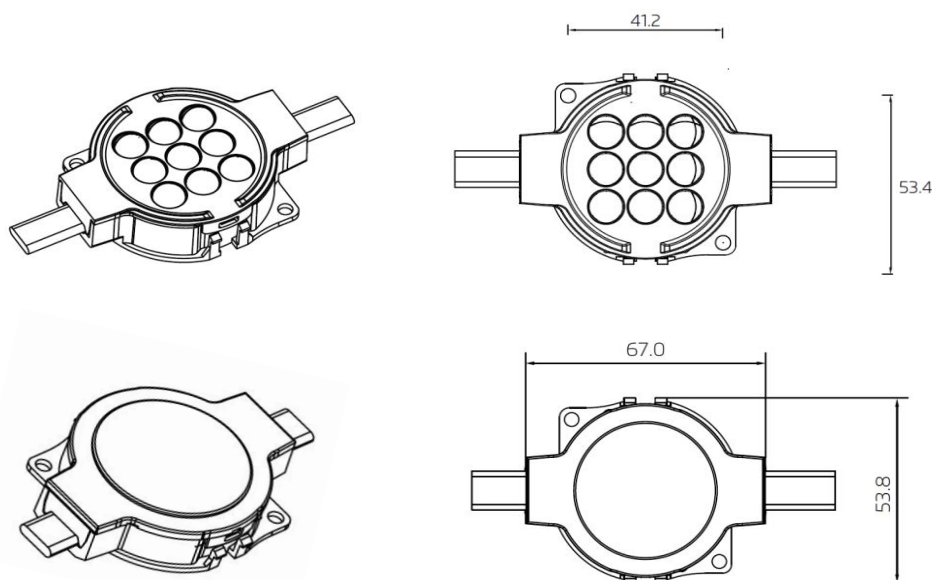
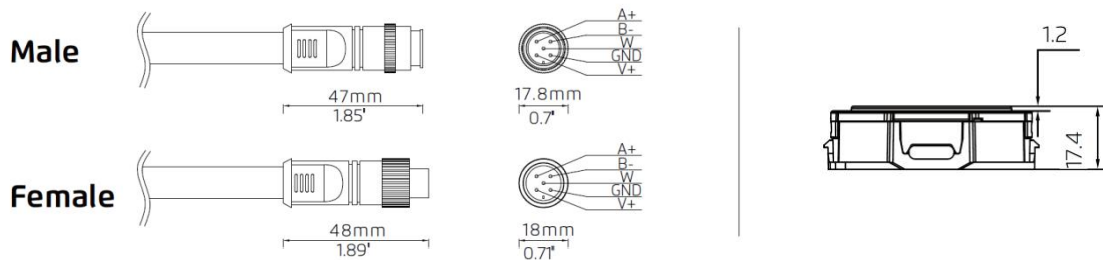
Lumination Icon (W)



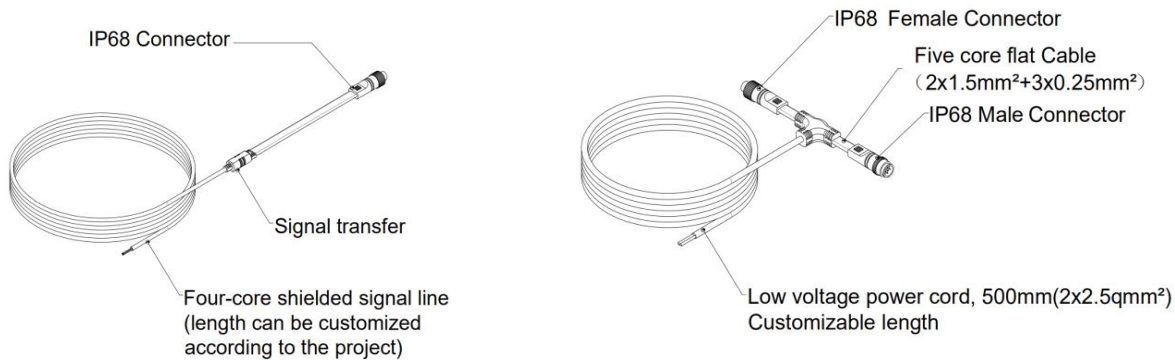
H(m) Eavg,Emax Beam Angle:117.12 ° Diameter



Product Structure Drawing (mm)



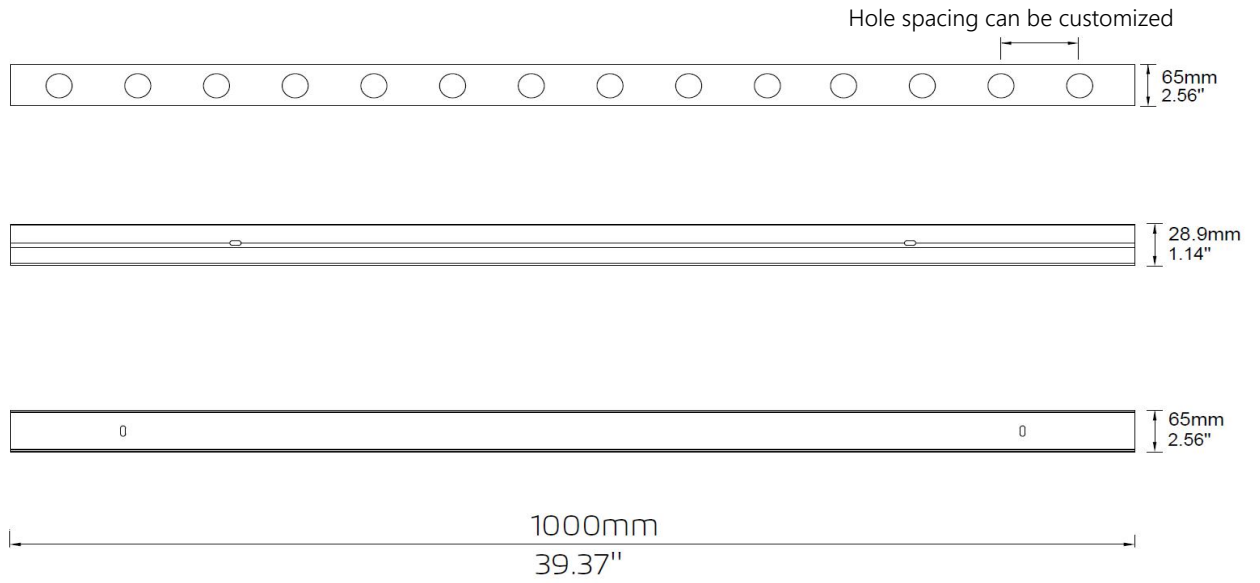
Installation Accessories 1



Signal Adapter

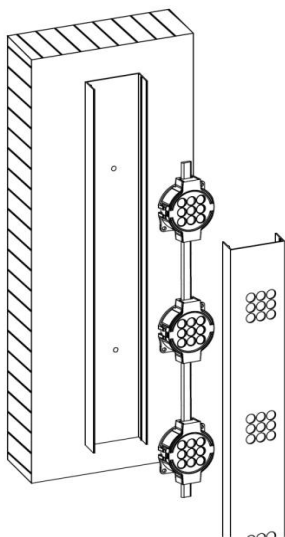
Power T Connector

Aluminum Profile Diagram

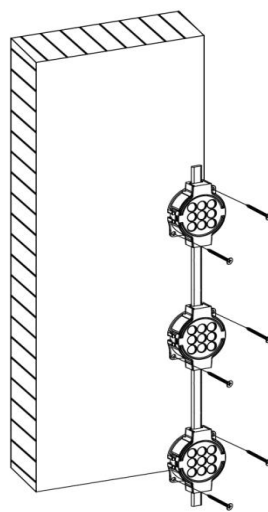


Installation Method

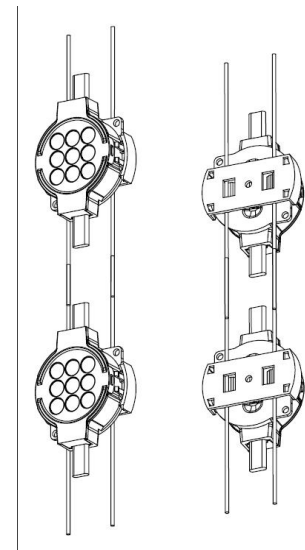
1. Aluminum Profile



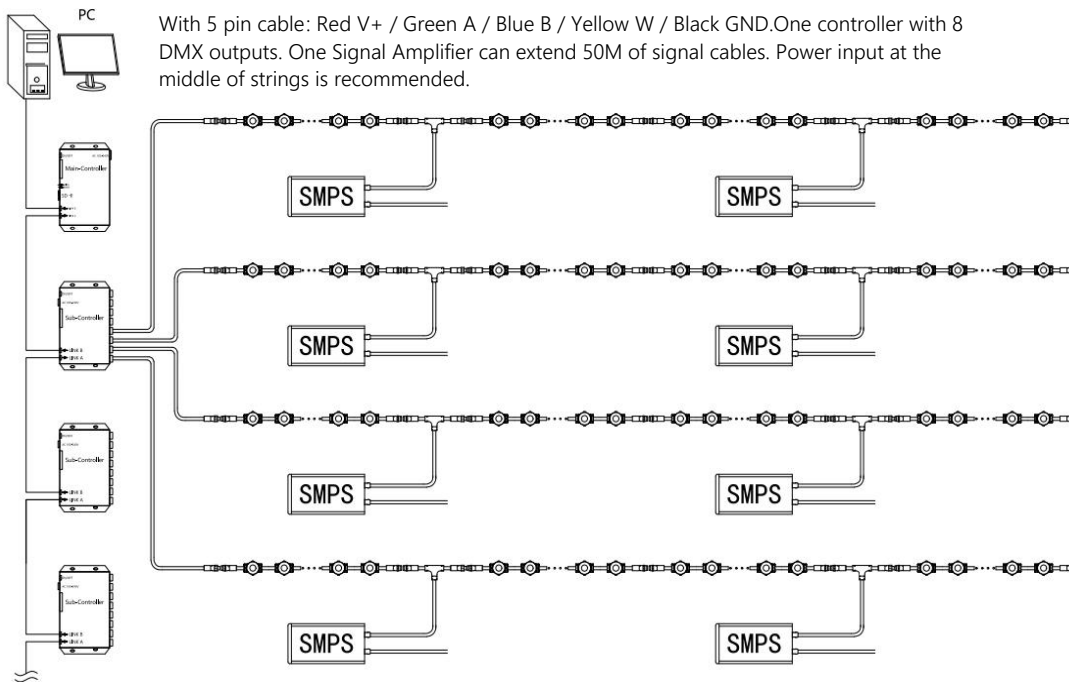
2. Direct installation



3. Steel Wire



Control System Diagram



✘ The actual system diagram may subject to change from the above example.

Project Cases

